



Product advantages

- With integrated seat unit, for the transport of persons that do not depend on a wheelchair
- Ideal for narrow staircases and confined spaces that might be too small for a wheelchair
- Attractively designed seat and backrest with soft padding
- Steering front wheels with parking brake
- Swivelling armrests for easy access to seat
- Easily foldable for storage
- Dismantling for transport takes only a few seconds
- Upgradeable with climbing height extension for steps of up to 25 cm in height (scalafly)

 Conforming to CE Directive for Medical Devices

scalacombi S36

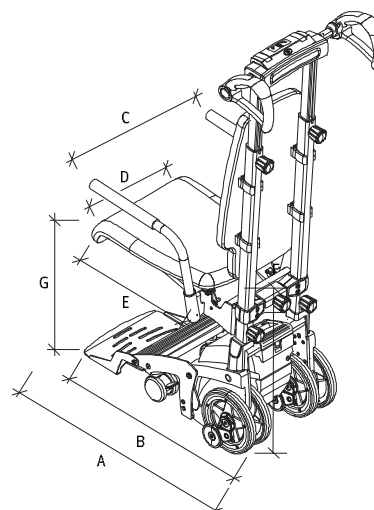
Technical data

(A) Overall length from rear wheel to front edge of footrest	73 cm
(B) Length from rear wheel to front edge of seat	57 cm
(C) Overall width (with armrests)	49 cm
(D) Seat width	35 cm
(E) Seat depth	45 cm
(F) Seat height above floor at rear	45 cm
(G) Seat height above floor, front	47 cm
(H) Ground clearance of footrest	3 cm
Total weight	37.5 kg
Weight of seat unit	12.5 kg
Max. weight of person	140 kg*
Max. permissible total weight	180 kg*



Foldable for easy storage

Dismantled for transport



* For details regarding the maximum permissible weight of the person, see note regarding weights