



bronco™



R82^C

bronco[™]

Adjustable forward lean

Adjusts to accommodate optimal walking angle and initiate the stepping process.



Height adjustable seat

Allows for height adjustment to fit the user and provide optimum positioning when walking. The child is not supposed to sit on the saddle.



Back support

Allows for height and depth adjustment for positioning the pelvis into a neutral position. Further the back support can be removed for easy access of the child onto the Bronco.



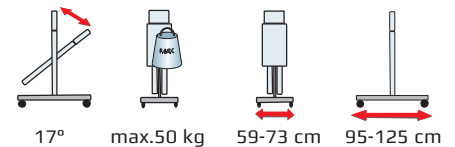
Wheel locks

Wheel locks secure the Bronco for stable transfers. The Bronco has four large wheels and an exceptional braking system specifically developed by R82.



The Bronco is a walking aid that encourages the child to stand and walk. It is built up like the Pony, but with a more stable frame with four large wheels. The Bronco provides excellent support for the chest while keeping the child's pelvis firmly in place.

It is available in three sizes and suitable for children between the ages of 1½ to 8 years. Not all children are alike - that is why it is important to use the measuring chart to find the correct size. The Bronco is for both indoor and outdoor use.





bronco™

STANDARD CONFIGURATION

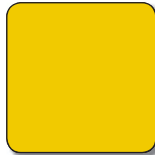
Standard

As standard the Bronco is delivered with back support and saddle. Please order accessories from the following pages.

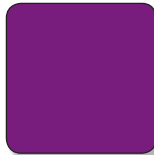


Frame colour

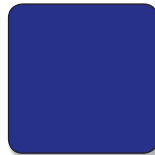
Available in different colours for size 0, 1 and 2



Yellow
for size 0



Purple
for size 1



Lilac
for size 2

Wheels

Please choose the required type of wheels to complete the configuration of your Bronco.

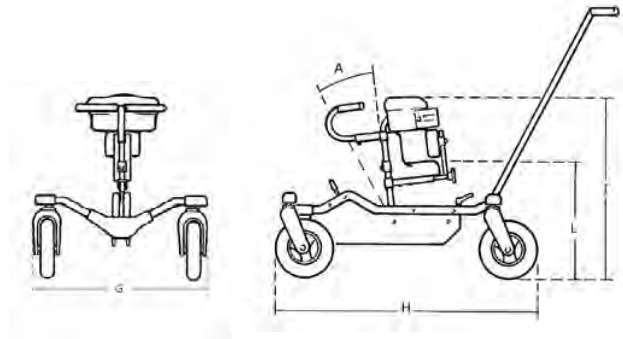


Air



Solid





Measurements

	Size 0 cm (inch)	Size 1 cm (inch)	Size 2 cm (inch)
Seat height (L)	27-37 (10½"-14½")	33-51 (12½"-20")	43-61 (16¾"-23¾")
Width (G)	59 (23")	66 (25¾")	73 (28½")
Length (H)	95 (37")	107 (41¾")	125 (48¾")
Height (l)	52-64 (20¼"-25")	58-81 (22½"-31½")	64-100 (25-39")
Angle range (A)	17°	17°	17°
Weight	12,5 kg (27,5 lb)	13,5 kg (30 lb)	15,5 kg (34 lb)
Max. load/user weight	30 kg (66 lb)	40 kg (88 lb)	50 kg (110 lb)





ACCESSORIES

Head support system

86424-21

Height and angle adjustable head supports keep child's head and neck in proper position.

size	measurements
0	H: 43-56 cm
1	H: 52-65 cm
2	H: 62-85 cm
3	H: 62-85 cm



Helper's handle

86416

Allows caregiver to direct and assist the child's movement.

one size



Arm rest

864xx

Provides forearm support. Helps the child to stabilize the trunk and head.

size	measurements
0	W: 52 cm
1	W: 52 cm
2	W: 62 cm
3	W: 66 cm



Vertical handles, mid-mounted

86432

For better and firmer grip.

one size



Abdominal pad

86422

Provides additional anterior pelvic control.

size	measurements
1	H: 11 x W: 18 cm
2	H: 11 x W: 18 cm
3	H: 11 x W: 18 cm



Side supports

864xx

Keep the child in proper walking position.

size	measurements
0	H: 7 x W: 15 cm
1	H: 10 x W: 15 cm
2	H: 10 x W: 15 cm
3	H: 10 x W: 15 cm



Leg protection

86450

Only for Pony.

Protect the children with the tendency of scissoring their legs.

one size



Directional stabilizer

86448

Only for Pony.

Locking the swivel front castor forcing the unit to go straight.

one size



Leg protection

86461

Only for Bronco.

Protects the children with the tendency of scissoring their legs.

size	measurements
0+1	H: 8 x W: 12 cm
2	H: 19 x W: 13 cm

