

alber

Simply mobile.

e-fix[®]

Power add-on drive



SMALL. LIGHT. SWIFT.



Enjoy a new degree of mobility.

► With e-fix, the electrical add-on drive for your wheelchair, you can cover longer distances quickly and easily. The conversion is so easy: just swap the drive wheels and install the battery pack and control unit – all done. The motors are neatly concealed within the wheel hubs. Almost all current types of wheelchair can be retrofitted with e-fix in this way. This means that you can continue to use a wheelchair that has been optimally adjusted to suit you.

With the big plus of considerably more mobility, the powerful e-fix can handle ramps and gradients of up to 20 %* with no trouble at all. The fully charged battery provides a range of around 30 km**.



If you have any questions or would like a free, no obligation demonstration, call us on **0049 7432 2006-0**



e-fix: Electrical add-on drive for your wheelchair

* Depending on the type of wheelchair, weight of the occupant, type of ground, wheelbase and the centre of gravity of the wheelchair
** Large battery pack for increased capacity available as option



Simply easy to use.

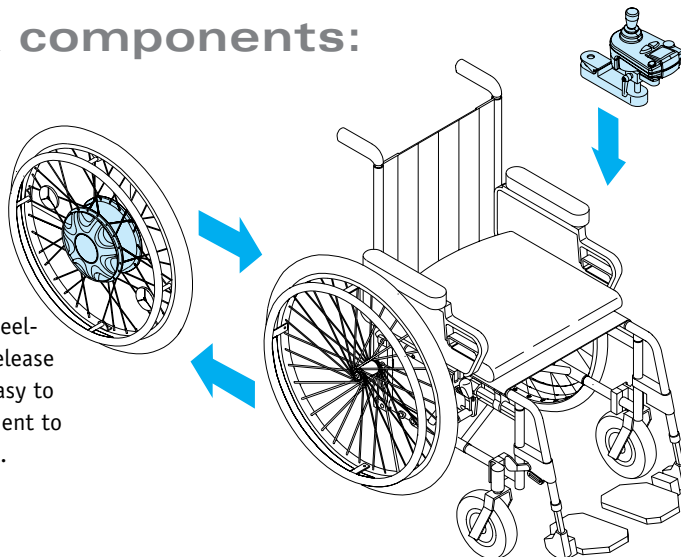
► It is so easy to control your wheelchair with e-fix you can get used to it almost at once. Buttons that are clearly arranged and easy to reach on the control unit ensure the easiest possible handling. You always have all the important information clearly in view on the easily legible display. The backlit display can be read easily, even in the dark. The small control unit ensures more comfort when driving. The speed can be varied continuously through a controller that is easy to grip. The lower the speed selected, the more agile the driving behaviour. You steer and the e-fix thinks for you!

A clever detail in the control unit is the colour coding: there is a function behind all the elements that are set off in light grey against the dark grey background (on/off, fast/slow, etc.). In this way you can quickly and easily learn how to gain a great deal more mobility.

The e-fix components:

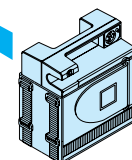
The drive wheels.

Easy to fix onto the wheelchair with quick-lock release fasteners and just as easy to remove again in a moment to save space in transport.



The control unit.

With reliable battery status display, individually adjustable driving properties and ergonomically arranged controls.



The battery pack.

Is suspended under the seat and allows a range of up to 30 km, depending on the model.



More freedom in daily life.

► Thanks to its incredible manoeuvrability, the e-fix is the ideal companion, especially indoors. Turning on the spot and manoeuvring in confined spaces are its speciality. Take a seat and discover a new degree of freedom within your own four walls.

The e-fix is also very easy to push by hand if the situation requires it: just uncouple the drive wheels with a simple movement and your wheelchair can be propelled manually in the usual way – either by using the outer wheels for the hands or by another person pushing.



If you have any questions or would like a free, no obligation demonstration, call us on **0049 7432 2006-0**



Simply couple up or uncouple the drive wheels



Move with hand power or electric power as you wish!

Stay flexible – Two wheelchairs in one!



Convenient technology on the move.

► A big advantage of the e-fix is its low weight. This makes it very easy to load into a car. Just undo the quick-release device and the e-fix components can be removed from the wheelchair in a moment, without the need for any tools. No part weighs more than 9 kg.

Once dismantled, the e-fix finds space in the back of any car. It's just as quick and easy to reassemble when at your destination.

So small. So good.





Made to measure like your wheelchair.

► The e-fix control unit can be attached to the wheelchair to suit both right- and left-handed people. The e-fix driving properties can be programmed accordingly to meet your needs and wishes.

There is a comprehensive range of accessories to make life easier for you and to provide more comfort.

The optional drive wheels with more power can make light work of kerbstones, thresholds or upwards slopes. Or choose the more powerful battery if you want to cover greater distances and so increase your radius of action.



If you have any questions or would like a free, no obligation demonstration, call us on **0049 7432 2006-0**



Swivelling arm: You can also drive up really close to tables.



Anti-tippers with jack-up function: This makes it even easier to remove the e-fix wheels.



Big battery pack: For a range of up to 30 km.



Attendant control: For control of the e-fix by an attendant.

Additional accessories:

Spoke covers, various joystick options, extended hand rest and much more! Alber or your local dealer would be glad to give you detailed information on the wide range of accessories.



You can rely on the e-fix.

► Independent institutions have tested and positively evaluated the longevity, quality and robustness of the e-fix – also under extreme conditions. The graceful, functional design of the e-fix won the iF Design Award.

Behind the e-fix are the many years of experience of Ulrich Alber GmbH, which in its capacity as a specialist for producing portable and user-friendly mobility aids has opened up new possibilities for mobility for many people around the world.

Experience a completely new quality of life with the e-fix. You are warmly invited to try out the e-fix for yourself in your home. At no charge and with no obligation. All you have to do is to fill out the test coupon on the back page and send it back to us.



Your questions – Our answers:

► Can I use e-fix on my wheelchair?

The e-fix can be used with most models of wheelchairs. Brackets to attach the drive wheels are fastened onto the frame of the wheelchair. The manual wheels for your wheelchair can normally still be used.

► How fast does the e-fix travel?

You can continuously vary the maximum speed of the e-fix between 1.2 and 6 kph. Thus you can find your optimum travelling speed in safety. In addition, a further 9 driving settings offer you individual driving convenience, depending on your personal needs and circumstances.

► How many versions of e-fix are there?

The e-fix has been designed for people up to a maximum weight of 120 kg (264 lb). The optionally available reinforced wheels with a higher rating can be used with people up to a maximum weight of 160 kg (352 lb). The standard version of the e-fix has wheels of size 22" or 24". The version for people weighing up to 160 kg has wheels available in sizes 12" and 24".

► Is the e-fix only intended for "self-drivers"?

No! The holder that is available as an accessory allows the control unit to be installed in the push handles of the wheelchair. The e-fix thus makes it easier for the attendant to push the chair. The intuitive attendant control (accessory) makes operation by another person really easy.

► How far can I travel with one charging of the battery?

Depending on the weight of the person, the sort of terrain, the temperature, the wheelchair settings and the surface of the ground, one charging of the battery is good for up to 16 km (10 miles). You can increase the range up to 30 km (18 miles) with the optionally available bigger battery pack.

► How steep a ramp or gradient can the e-fix cope with?

The e-fix can manage gradients and slopes of up to 20%, depending on the wheelchair settings, the weight of the occupant and the ground. It is essential to follow the instructions of the wheelchair maker in this case.

► Can the e-fix also be taken into a car?

Yes! The modular structure makes it possible. All the e-fix components can be easily removed from the wheelchair without needing any tools, and hence save space when loaded into the back of any car. Your wheelchair can still be folded up.

► How much does the e-fix weigh?

Drive wheels	–	7.8 kg/17 lb each
Battery	–	9.0 kg/20 lb
Control unit	–	0.5 kg/1 lb
Interface	–	1.4 kg/3 lb
Total weight	–	26.5 kg/58 lb

► What accessories are available for the e-fix?

Anti-tippers with a swivelling and jack-up function to make it easy to remove the drive wheels, Swivelling arm to allow you to get closer up to tables, various types of attendant controls to optionally allow the e-fix to be used as an aid to pushing, and much more.



Our statement of quality: your safety!
Certified to the latest standards: ISO 9001:2000
and ISO 13485:2003 for medical products.

Weight information E25

max. user weight:	120 kg
max. total weight: (incl. efix, wheelchair, wheelchair driver)	170 kg



Ulrich Alber GmbH

Vor dem Weißen Stein 21
72461 Albstadt
Germany
Phone +49 (0)7432 2006-0
Fax +49 (0)7432 2006-298
info@alber.de
www.alber.de

with compliments:

www.alber.de