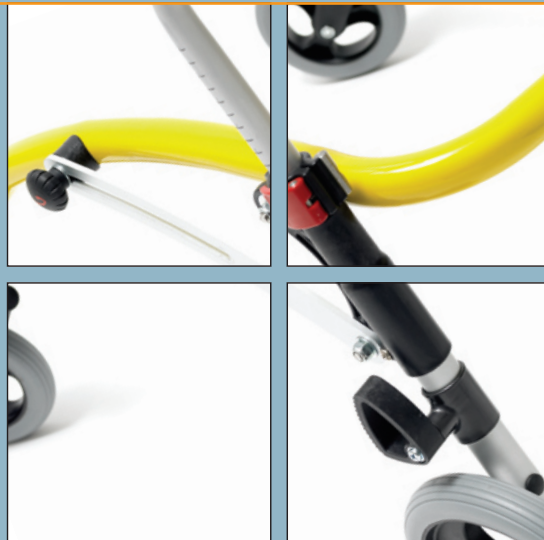


R82[®] 



crocodile[™]



Reverse walker for active children
activity



R82[®]

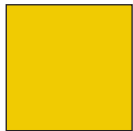
Crocodile is pure design in the literal sense of the word. Placed behind the child, the frame allows freedom of movement and facilitates play in the upright position. The adjustable handles can be individually adapted to a position conveniently close to the child's body providing maximum support and stability. The Crocodile is light, easy to dismantle and extremely safe and easy to use. The Crocodile is available in two sizes and suitable for children between the ages of 2 to 14 years. Not all children are alike - that is why it is important to use the measuring chart to find the correct size.



crocodile[™] by R82[®]

Colours

Size 1



Size 2

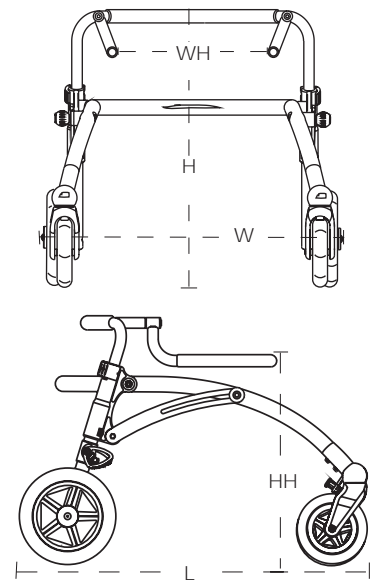


Size 2



Measurements

	Size 1	Size 2
	cm (inch)	cm (inch)
Height from floor to top frame (H)	49-66 (19-25 ³ / ₄ "")	65-82 (25 ¹ / ₄ -32"")
Width, max (W)	62 (24"")	69 (27"")
Length (L)	72 (28"")	84 (32 ³ / ₄ "")
Width between handles (WH)	27-55 (10 ¹ / ₂ -21 ¹ / ₂ "")	32-60 (12 ¹ / ₂ - 23 ¹ / ₂ "")
Height from floor to handles (HH)	39-70 (15 ¹ / ₄ -27 ¹ / ₄ "")	55-88 (21 ¹ / ₂ -34 ¹ / ₄ "")
Length, folded	72 (28"")	86 (33 ¹ / ₂ "")
Height, folded	31 (12"")	27 (10 ¹ / ₂ "")
Weight, standard	5,5 kg (12 lb)	6,5 kg (14 lb)
User height, maximum	115 (44 ³ / ₄ "")	150 (58 ¹ / ₂ "")
User weight, maximum	30 kg (66 lb)	45 kg (99 lb)
Turning radius	100 (39"")	114 (44 ¹ / ₂ "")



R82 A/S

Parallevej 3
8751 Gedved
Denmark
Tel +45 79 68 58 88
Fax +45 75 66 51 92
E-mail: r82@r82.com
Web: www.r82.com

R82 UK Ltd.

Unit D4A
Coombswood Business Park East
Coombswood Way, Halesowen
West Midlands B62 8BH
Great Britain
Tel 0121 561 2222
Fax 0121 559 5437
E-mail: info@r82.com
Web: www.r82.com

Distributor: